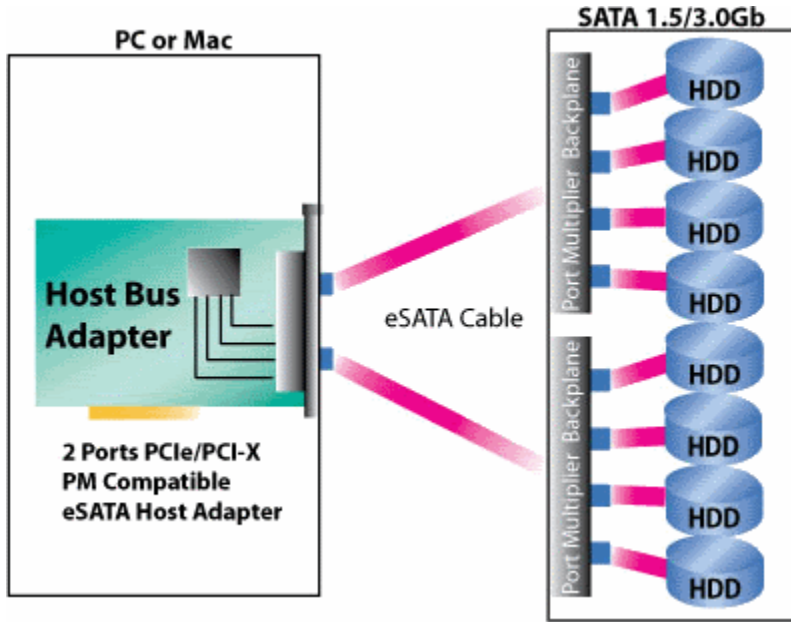




????????Expander????SATA-IO????-Port Multiplier?Port Multiplier????SATA port????SATA port????port????Storage????Port Multiplier????

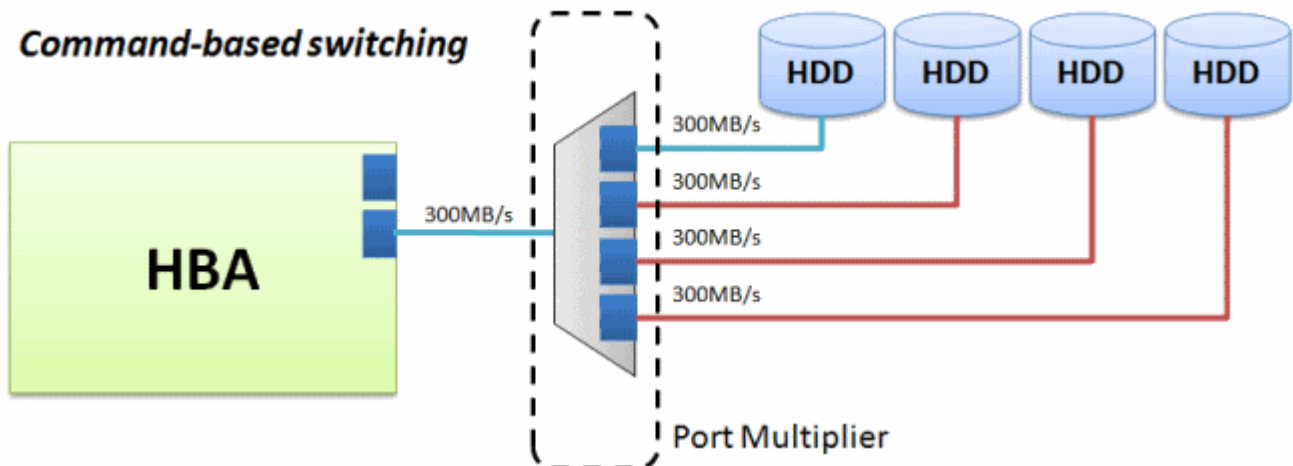


????eSATA????PM(Port Multiplier)????device????port????SATA-IO????Port Multiplier????

1.Command-based switching

2.FIS-based switching

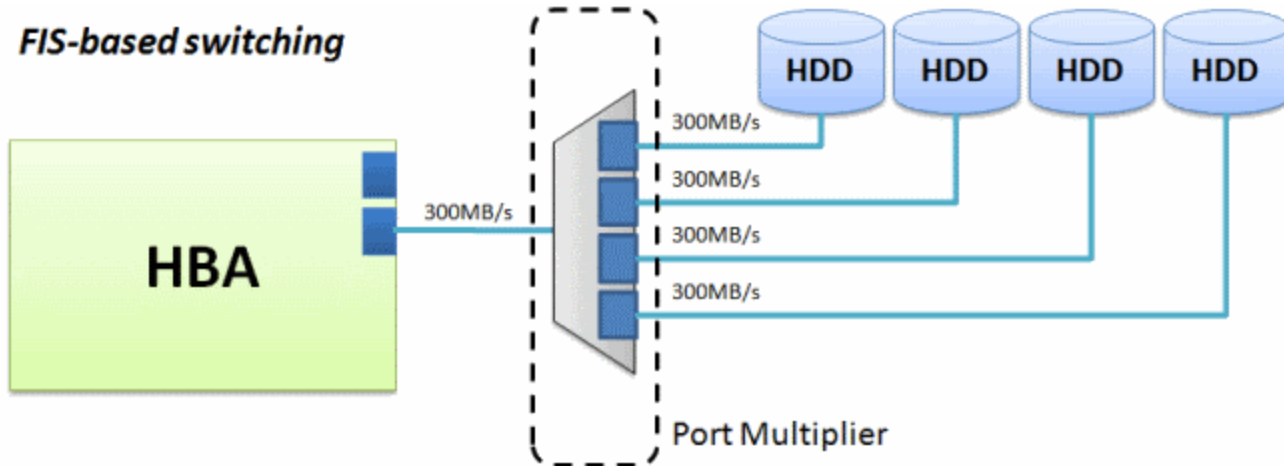
????????????????????????????????????Command-based switching????Command-based switching????????????????????SATA HBA????I/O??(Command)????(HD Drive)????PM????????????????????I/O????????????????I/O??????HBA????I/O????????????????????????????????????Storage????Command-based switching????



???Port Multiplier????????????????????Intel????ICHxR????????????????

FIS(Frame Information Structure)-based switching?Port Multiplier????????????????????Command-based switching????????????????I/O????????PM????????????????????SATA HBA????I/O????????PM????????????????SATA HBA?PM????????????????????????????NCQ????????????????FIS-based switching????

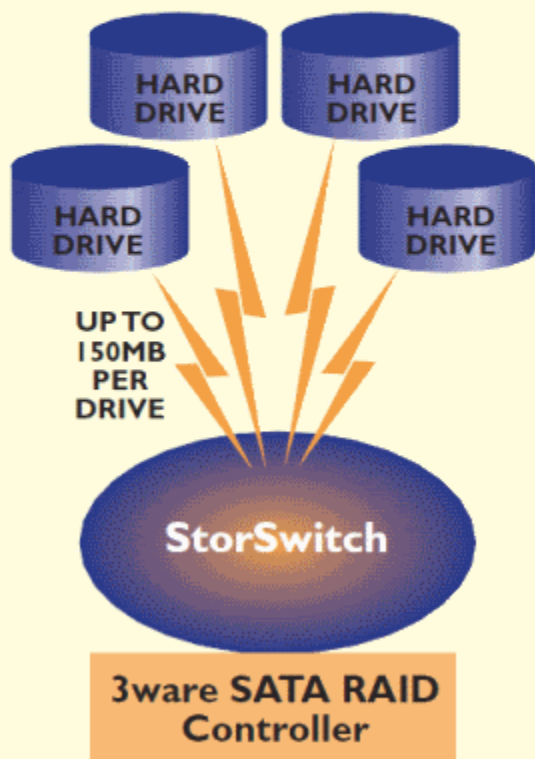
FIS-based switching



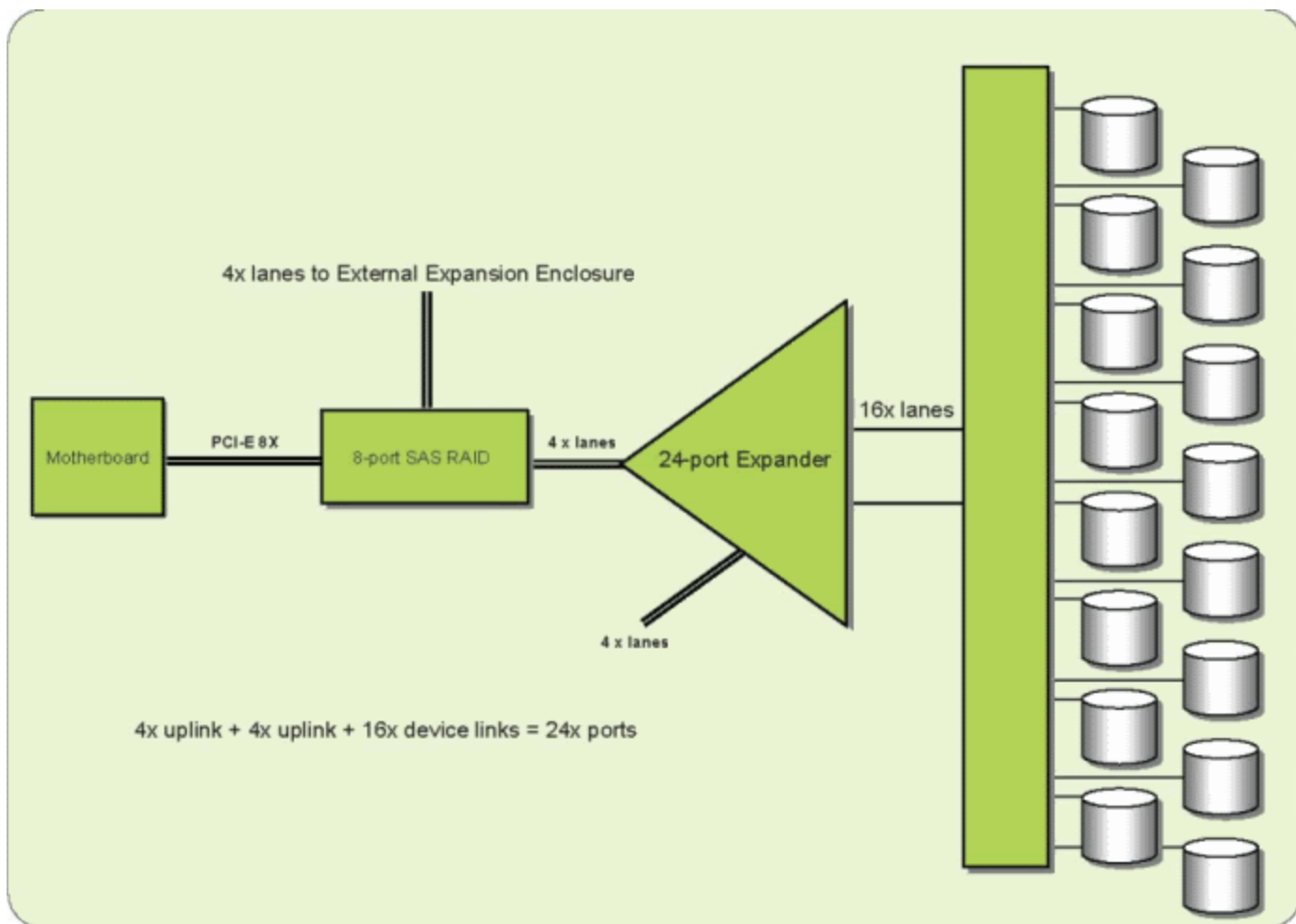
??Intel?ICH10R????????????FIS-based switching????????SATA HBA????????????????3ware???StorSwitch???
????Port Multiplier????????????????????????????

STORSWITCH ARCHITECTURE

Based on non-blocking switching technology, 3ware's StorSwitch architecture provides a dedicated port for each drive, which eliminates shared-bus arbitration and bottlenecks, thus maximizing performance and reliability while improving disk utilization.



?Expander??SAS?????Port Multiplier?????????SATA Port Multiplier?????????????????????Expander?
 ??????SAS?????-wide port?????Expander?????????????????wide port?????4?narrow links?????????????
 ??????SAS-2?????wide port-6Gbps x4=24Gbps=3GB/s x80%=2.4GB/s?????wide port?Expander?????????
 SATA?Port Multiplier?????????????????SATA Port Multiplier??300MB/s????SATA 3.0????600MB/s(????SATA
 3.0?Port Multiplier????Silicon Image????SATA 3.0?Port Multiplier?)??SATA????????????????????



?SAS????Link Layer?SMP?????Expander?????????HP???????-Serial Attached SCSI Architecture?Expander?
 ????????

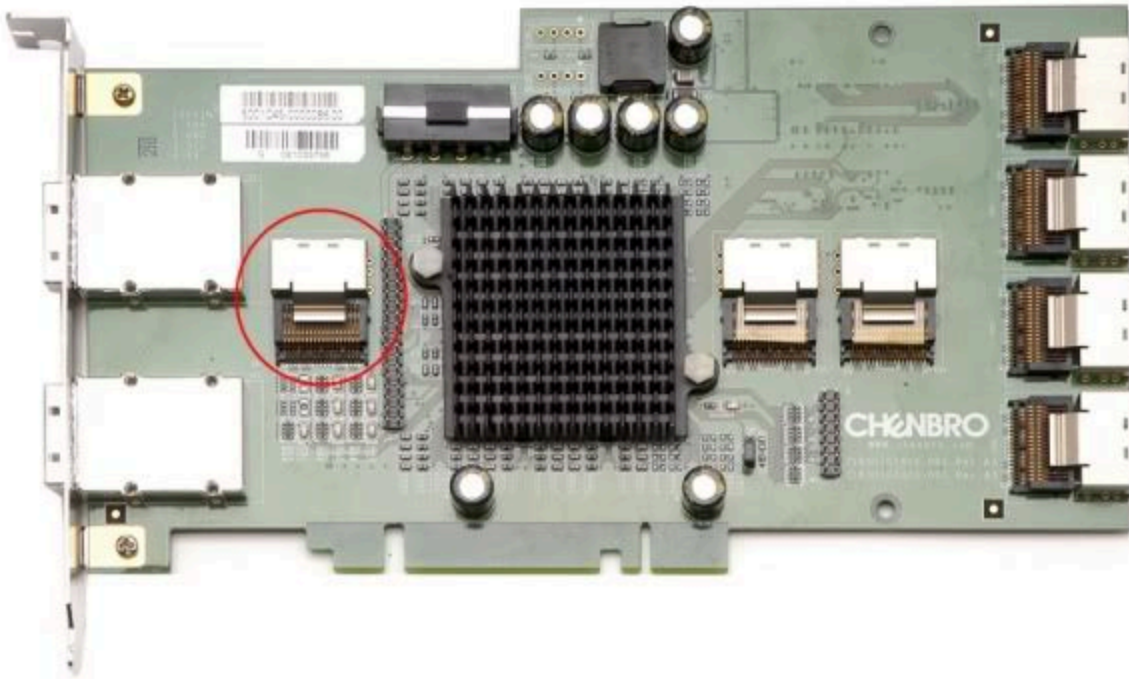
1.Edge Expander

2.Fanout Expander

?????Expander?????????????????????Expander??-Internal Expander Add-on Card????????????????????
 ?????????????????????????????????????

1.Chenbro SAS Expander Add-in Card

???Chenbro?CK13601?Standard 36-port SAS Expander????



??Internal Expander Add-on Card??LSI?LSISASx36????3Gb/s????ARM??Host Bus????????????????4pins?12v??HBA????????????????????Input Drive Connector???? RAID HBA?Host Connector????????????Drive Connector????Storage???RAID HBA?Expander????????3Gb/s x4=12Gb/s=1.5GB/s x80%=1.2GB/s????36 ports????1.2GB/s????????

SAS-2???Internal Expander Add-on Card?Chenbro????????????????LSI LSISAS2x36????150MHz?ARM??CK13601????????????LSISAS2x36????????????6Gb/s x4=24Gb/s=3GB/s x80%=2.4GB/s(RAID HBA????6Gb/s?)?RAID HBA?Expander????????????SAS-1/1.1 Expander????????6Gb/s?????????????????36????????????????

Chenbro?Internal Expander Add-on Card????LSI????RAID HBA????LSI??

2.
HP?? SAS expander

<https://h10057.www1.hp.com/ecomcat/h...visioner/99/46>
8406-B21.htm

input ?? 1?2 4x SAS port ??? 24 pcs HDD
24 Port HDD ???? 48 Gbps (4800 MB/s) ??

SAS Expander Chip?PMC Sierra PM8005 .S

?? SAS raid card???phy ??,???Raid ??????????!

HP????????HP Server?Raid card ?
???? ??????pci-e ?.????????

Support Raid card:

3Gbps SAS

Areca 1680 series: YES (SES2 ???)

3ware 9690SA Series YES

Adaptec 5085: Yes (SATA ?????1.5 Gbps)

Adaptec 5805: Yes* (SATA ?????1.5 Gbps)

6 Gbps SAS

HP P212, P410, P410i, P411, P411i, P712: YES

??Expander firmware ??????HP P410 Card