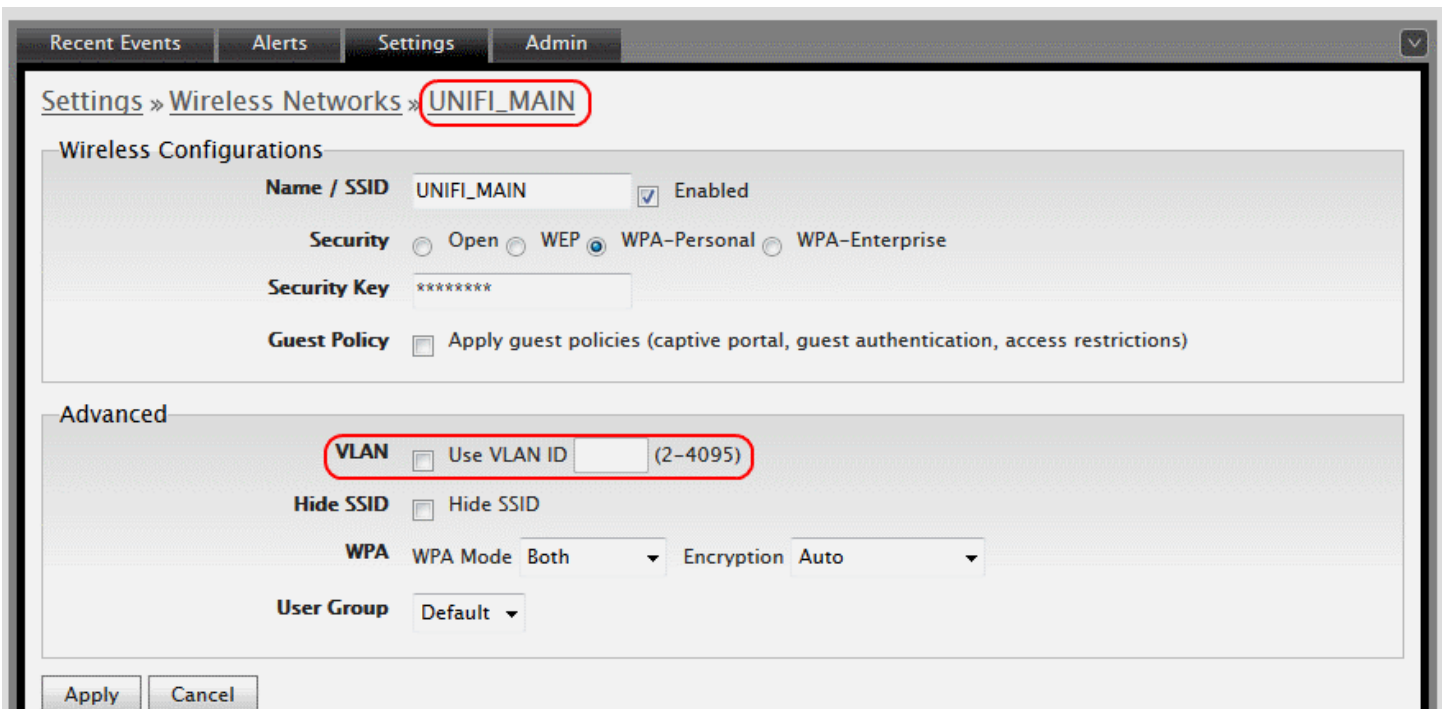
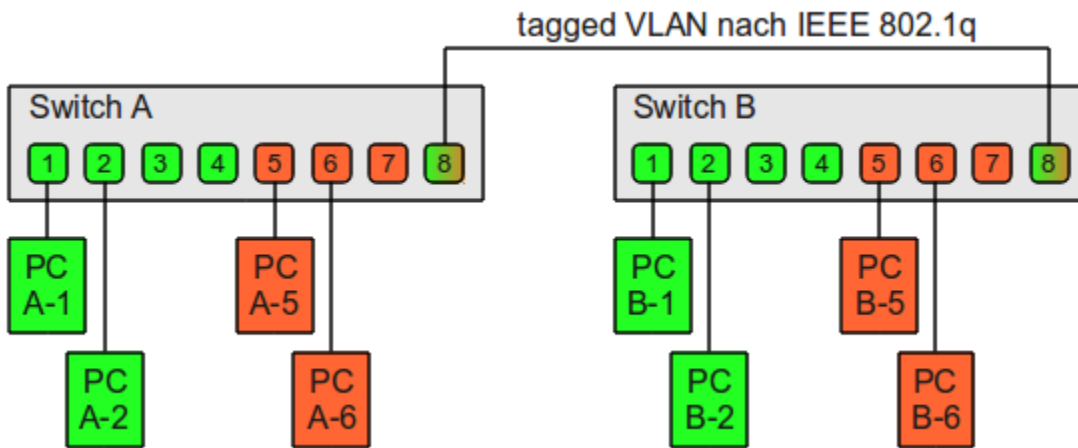


?Unifi AP????SSID?????VLAN?, ?????SSID?????VLAN?????????.



?????VLAN????SSID????, ??FortiGate???BYOD?????client????, ?????????.

??VLAN?????client????frame????????????tagged, ???VLAN?frame. ??????????untagged????????frame, ??
 ?????VLAN I/O.



?????tagged?VLAN frame, ?????????????????802.1q?????. ??L2 switch?????VLAN frame???, ??tagged??
 untagged???



??Uifi AP???, ?????????????????SSID:

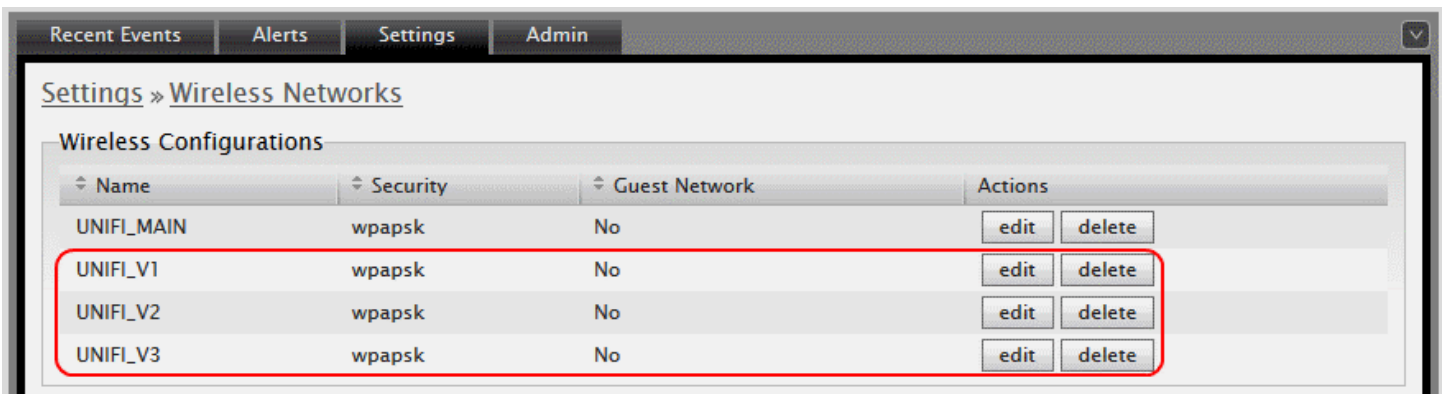
VLANS={ V1, V2, V3}, use fct reg key

V1=> UNIFI_V1, vlanid=2, allowed_devices=[ALL;FCT_REQUIRED_FOR_WIN_AND_MAC]

V2=> UNIFI_V2, vlanid=3, allowed_devices=mobile(android, iphone), windows[FCT_REQUIRED]

V3=> UNIFI_V3, vlanid=4, allowed_devices=mobile[ALL], mac, windows

????AC??Unifi AP?VLAN????, ??????3????SSID.



??HP?Switch????????VLAN??, ?????(V1, V2?V3):

VLANs ▶ VLAN Configuration ?

VLAN

Create VLAN

Create VLAN ID (2 - 4093)

Number of VLANs 4

VLAN ID	VLAN NAME	Set Name	Delete VLAN
1	Default	<input type="checkbox"/>	<input type="checkbox"/>
2	V1	<input type="checkbox"/>	<input type="checkbox"/>
3	V2	<input type="checkbox"/>	<input type="checkbox"/>
4	V3	<input type="checkbox"/>	<input type="checkbox"/>

?FortiGate????PHY port?????????VLAN??, ?????????LACP port?:

np2_trunk1 (10.1.1.0/24;np2;external)	Aggregate	10.1.1.101 / 255.255.255.0
V1	VLAN	10.1.100.100 / 255.255.255.0
V2	VLAN	10.1.101.100 / 255.255.255.0
V3	VLAN	10.1.102.100 / 255.255.255.0