

Docker ?????

????????

???? docker ????????

docker network ls

NETWORK ID	NAME	DRIVER	SCOPE	
df4fc11e6472	bridge	bridge	local	<== ??
ed68fa24ef82	host	host	local	<== ??
6e8f491a8a5b	none	null	local	<== ??
d228c717534a	raida_default	bridge	local	

???????????????? IP, gateway ?

docker inspect <network-name>

?? Containers ?????

- ??????? container ?????????????? bridge ?????
- ????????????? containers???????????
- ??????????? IP ???
- ? docker-compose ??? containers????????????????
<?????>_dafault
- ????????? container ?????? <container-name> ?? IP; ? docker-compose ?????????? <container-name> ?
?????? <service-name>?

?? host ? port ? container

????? host ? port?????? container ???????

?? host 11180 port ? container 80 port

?????? container

docker run -t -i -p 11180:80 alang/centos5-lamp_php51

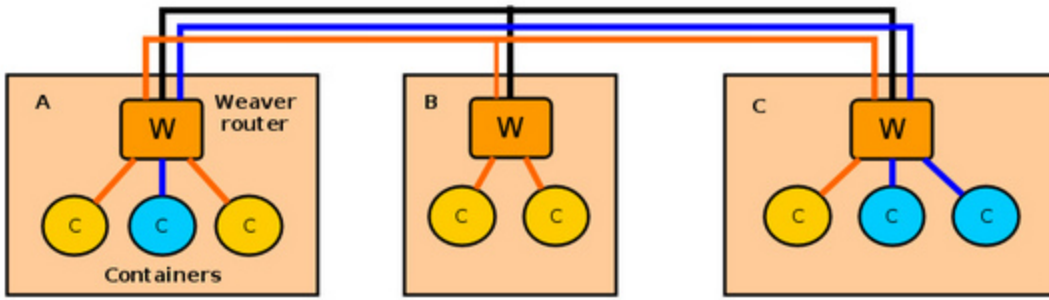
? daemon ????? container

docker run -d -p 80:80 alang/centos5-lamp_php51

?? weave ??

[weave](#) ????????????? Docker ??????????????

?????



?????

- [How to set up networking between Docker containers](#)