

??? Oracle VM Server???????????? Linux ?????? RedHat ???????? HP ? Oracle ?????????????????????? OVS ???
????????? OVS ?????????????????????? iLO SNMP + HP Agentless Management Service?

NOTE:

* iLO ??? DL380 G8 ???????? ????????????????????

* ?????????? iLO ??????????????? HP Agentless Management Service (hp-ams)?

?? HP Agentless Management Service

?? RPM: <http://downloads.linux.hp.com/repo/spp/>

NOTE:

?? Oracle VM Server 3.3.x ??? RedHat 6.5 ??????????????????? hp-ams-2.1.1-1594.4.rhel6.x86_64.rpm

??? 2018/4/27:

???? hp-ams ??????????????????????:

kernel: [1563.977732] amsHelper[8329]: segfault at ffffffff80f19f0 ip 0000003821c47c9c sp
00007ffd053524f0 error 5 in libc-2.12.so[3821c00000+18a000]

??? SPP 2016.10.0 ?????? hp-ams ???

?? RPM ? Oracle VM Server

#rpm -ivh hp-ams-2.1.1-1594.4.rhel6.x86_64.rpm

?? iLO

??? Oracle VM Server ? iLO ???????????????

1. ?? SNMP

iLO Admin > Administration > Management

SNMP Settings)

- Enable: Agentless Management
- System Location: <??>
- System Contact: <??> Admin@host.name
- System Role: <??> Oracle VM Server #2
- System Role Detail: <??>
- Read Community: <???? SNMP ????>
- Trap Community: ???????
- SNMP Alert Destination: <SIM Server IP>

SNMP Alerts)

???? Enabled

2. ?? iLO ??????????????????? HP SIM Server ??

iLO Admin > Administration > User Administratio

??????? iLO ???????????????

? SIM Server ???????

SIM Admin > ?? > ?? > ????

- ??: Discover for iLO <??>
- ??: <?? ?????>
- Ping: <??????? (Oracle VM Server) iLO Port ? IP>
- ??: ??????????????
 - ? ??: iLO ??? (NOTE: ??????????????????)
 - NOTE: ?????? iLO ???????????
 - ? SNMP > ??????: iLO ??? SNMP ??? (NOTE: ??????????????????)
- ?? (NOTE: ??????????????)

????????? > ?????????????? > ?? ????

NOTE: ??? 1-2 ?????????????????????

????????????????????????????? Windows CMS??????? Windows Advanced TCP/IP
 Settings ?????????????????????? DNS ????

??????? IP ?? 10.22.26.202 ??? DNS ?????????? nslookup ??? DNS
 ??????????????????????

????????????????? DNS ???

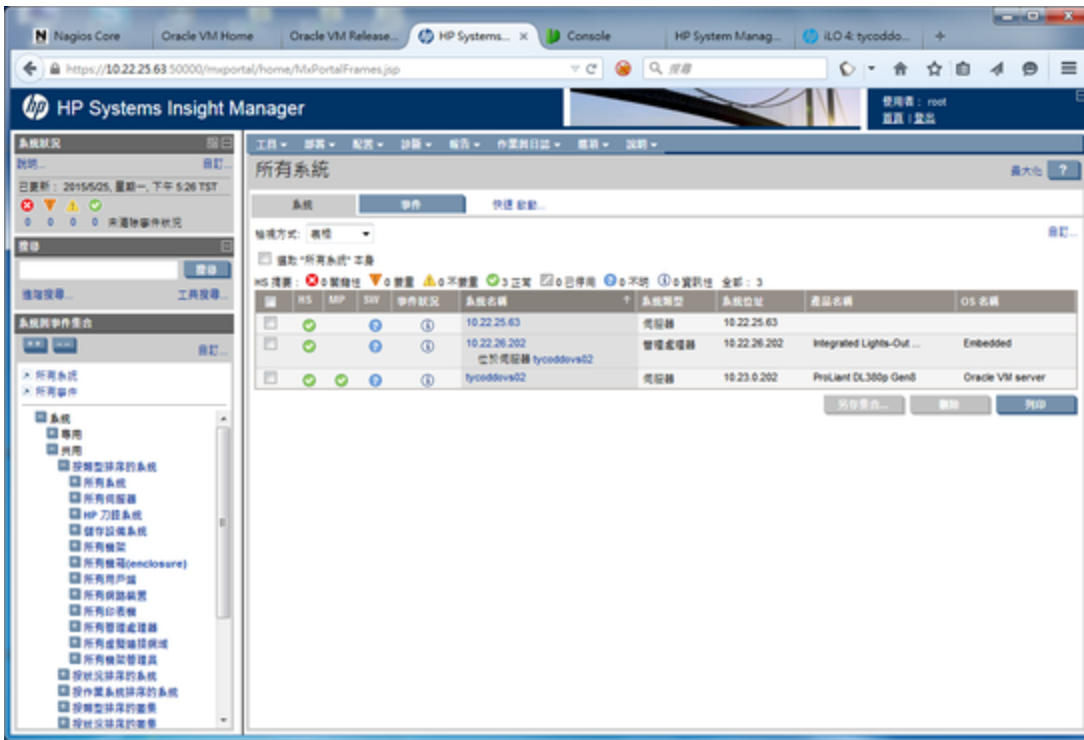
????????????????? Shell ??????????????

??????????? System Management Homepage (SMH)?????????

?????

- * ?????????????? SIM Server ??? DNS ?????? DNS ??????????????????????
- * ?????????shell ?????????????????????????????? SMH ?????? OVS ??????????????SIM Server ????????

?????



?????

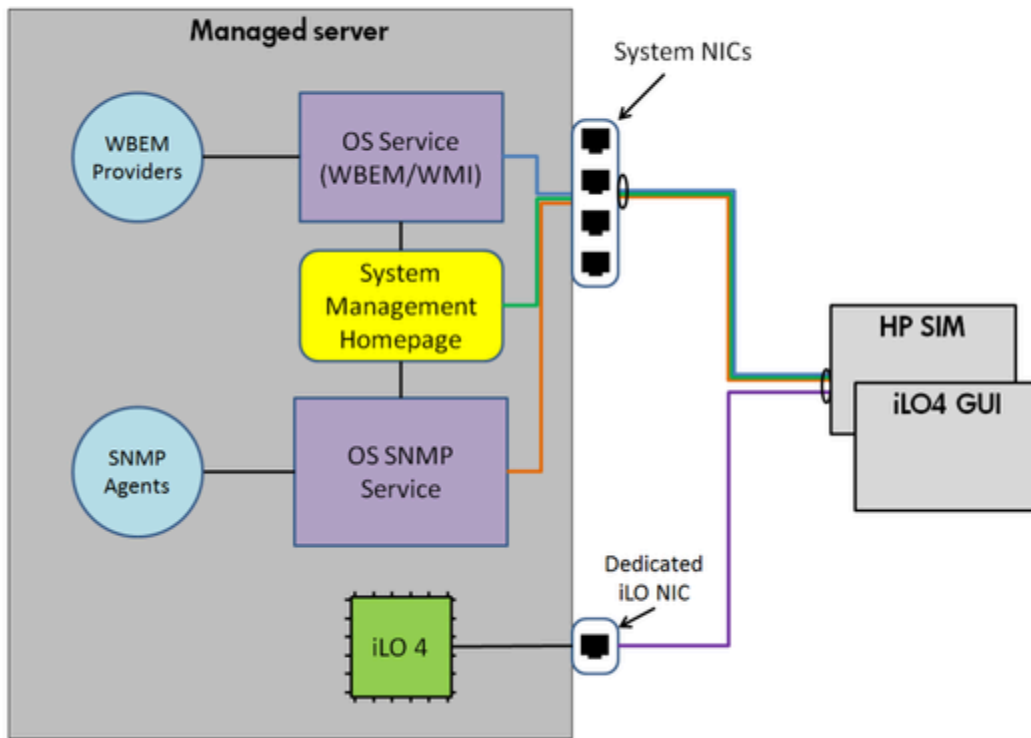
?? HP ??????????SIM ???????????????????

- iLO ?????????????????? SIM ??????????????????
- ??? SIM ?????? ping HP ??

AMS ? OS-based ?????

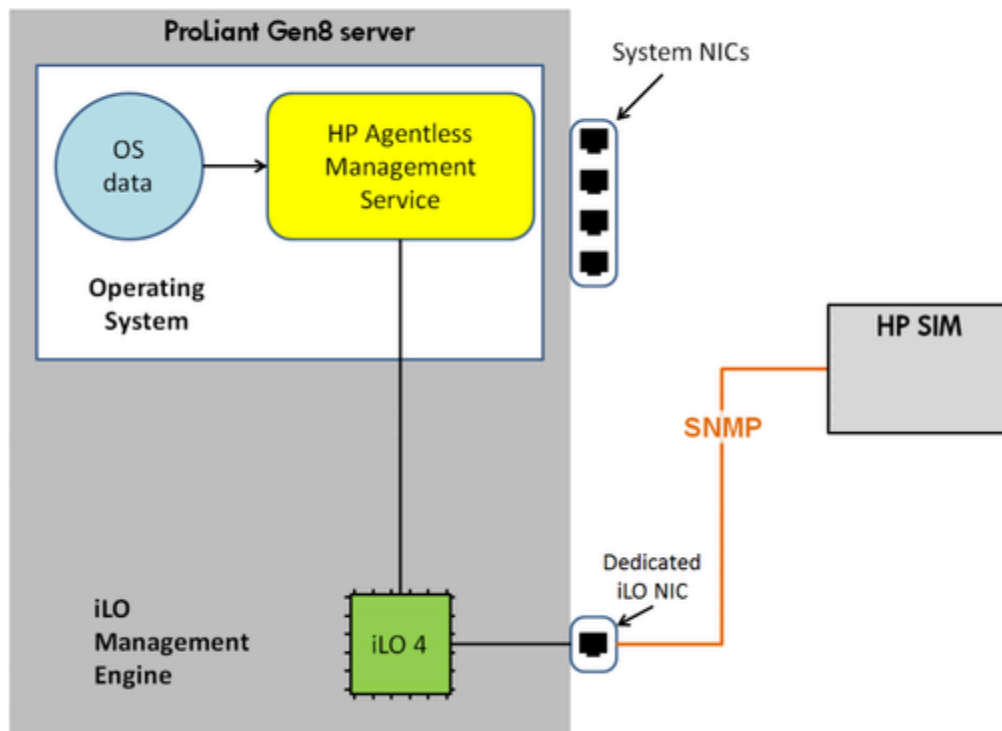
Traditionally, SNMP Agents and WMI/WBEM Providers communicate with HP SIM through an OS-based service.

Figure 2: Traditionally, SNMP Agents and WMI/WBEM Providers communicate with HP SIM through an OS-based service.



The iLO Management Engine includes the core instrumentation logic to monitor hardware and the embedded HP Agentless Management with its SNMP stack.

Figure 3: The iLO Management Engine includes the core instrumentation logic to monitor hardware and the embedded HP Agentless Management with its SNMP stack.



????????????? [HP Systems Insight Manager 7.0 and HP Agentless Management overview](#)

Q & A

Q: ?? Discover ?????????????????????? IP???????????

A???????????????????

1. ? SIM Server ??? DNS ?????????? DNS ??????????????????
2. ???? DNS server ?? DNS server ?????????????????????????????????????? SIM server ? /etc/hosts????????????????????? iLO ?
????