

CentOS 7?

?? nmtui ????

nmtui > Edit a connection > Add > New Connection > Select Bond > Create

- Profile Name: bond0
- Device: bond0

> Slaves > Add

- Profile Name: eno1-slave NOTE: ??????? -slave???????????????
- Device: eno1
- Profile Name: ens3f0-slave
- Device: ens3f3

> IPv4 Configuration

- Address: 10.4.1.71/24
- Gateway: 10.4.1.254
- DNS Servers: 10.3.3.3

> IPv6 Configuration > Ignore

TIP:

Profile Name ?????????? ifcfg-XXX ???????????????
 ifcfg-bond0 , ifcfg-eno1-slave

?? Profile Name ?????????????? Bond ?? ifcfg-XXX ?????????????????????????????????
 ??

?? Bonding ??

???????? Load Balancing (Round-Robin)???????? Acitve-Backup

nmtui > Edit a connection > Bond: bond0 > Edit >

- Mode: Active Backup
- Primary: eno1 ?;??????????????????

NOTE:

???????? Round-Robin ?????????? Switch ??????? EtherChannel??? Switch ??????? vlan XX is flapping between port YYY and port ZZZ?

?????

??:

- ????? iSCSI Disks,????????????????????
- ?????????

// ??:????? iSCSI Disks,????????????????????

systemctl restart network.service

or

nmcli networking off; modprobe -r bonding ; nmcli networking on

CentOS 6.7?

?? NetworkManager ??

```
#> service NetworkManager stop
```

```
#> chkconfig NetworkManager off
```

???

```
#> vi /etc/modprobe.d/bond.conf
```

```
alias bond0 bonding
```

```
#> vi /etc/sysconfig/network-scripts/ifcfg-bond0
```

```
DEVICE=bond0
```

```
BOOTPROTO=none
```

```
IPADDR=10.4.1.110
```

```
NETMASK=255.255.255.0
```

```
NETWORK=10.4.1.0
```

```
GATEWAY=10.4.1.254
```

```
DNS1=192.168.21.12
```

```
DOMAIN=xxx.com
```

```
ONBOOT=yes
```

```
BONDING_OPTS="mode=1 primary=eth0 miimon=100"
```

```
#> modinfo bonding
```

```
filename: /lib/modules/2.6.32-573.el6.x86_64/kernel/drivers/net/bonding/bonding.ko
```

```
author: Thomas Davis, tadavis@lbl.gov and many others
```

```
description: Ethernet Channel Bonding Driver, v3.7.1
```

```
version: 3.7.1
```

```
license: GPL
```

```
alias: rtnl-link-bond
```

```
srcversion: 4E0AE4BD567D42DFB061C63
```

...

```
#> vi /etc/sysconfig/network-scripts/ifcfg-eth0
```

```
DEVICE=eth0
MASTER=bond0
SLAVE=yes
BOOTPROTO=none
HWADDR=00:26:55:??:??:??
ONBOOT=yes
USERCTL=no
```

```
#> vi /etc/sysconfig/network-scripts/ifcfg-eth2
```

```
DEVICE=eth2
MASTER=bond0
SLAVE=yes
BOOTPROTO=none
HWADDR=3C:A8:2A:??:??:??
ONBOOT=yes
USERCTL=no
```

TIPs:

???? Port Trunking (802.3ad ?? LCAP: Link Aggregation Control Protocol)???? mode ?? 4?????
network switch ????????????

?? bond0 ??

```
# cat /proc/net/bonding/bond0
Ethernet Channel Bonding Driver: v3.7.1 (April 27, 2011)
```

```
Bonding Mode: fault-tolerance (active-backup)
Primary Slave: eth0 (primary_reselect always)
Currently Active Slave: eth0
MII Status: up
MII Polling Interval (ms): 100
Up Delay (ms): 0
Down Delay (ms): 0
```

```
Slave Interface: eth0
MII Status: up
Speed: 1000 Mbps
Duplex: full
Link Failure Count: 0
Permanent HW addr: 00:26:55:da:2a:a0
Slave queue ID: 0
```

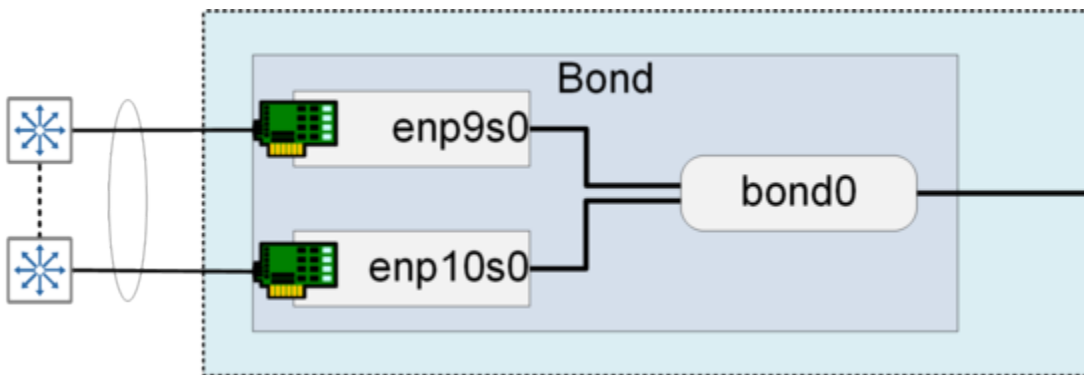
```
Slave Interface: eth2
```

MII Status: up
 Speed: 1000 Mbps
 Duplex: full
 Link Failure Count: 0
 Permanent HW addr: 3c:a8:2a:0b:2b:80
 Slave queue ID: 0

FAQ

Q: ?????????????? Cisco Core Switch?A ?????????????? 3 ???B ??????????
 ??????

- Bonding mode ?? 1 Active-Backup
- ?????????????? Core Switch???????????



A?

? bonding mode ?? 6 balance-alb ????

...
 BONDING_OPTS="mode=6 miimon=100"

????

- <http://www.unixmen.com/linux-basics-...n-centos-76-5/>
- <https://wiki.centos.org/zh-tw/TipsAn...dingInterfaces>
- [Cisco] [Basic NIC Bonding in RHEL](#)
- [RHEL5 & 6 NIC Bonding](#)